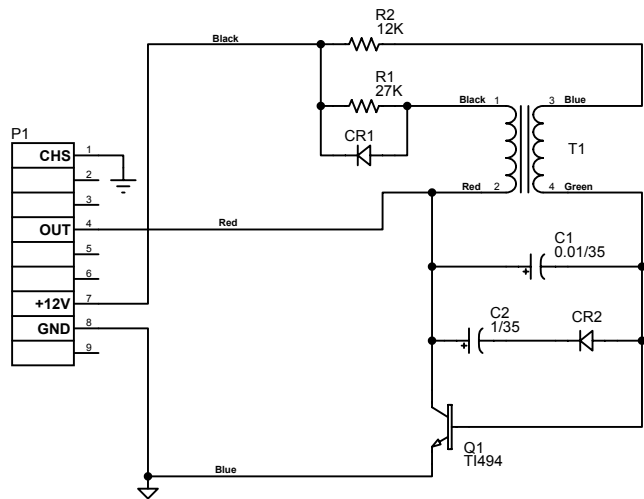


REVISION HISTORY		
REV	DESCRIPTION	DATE

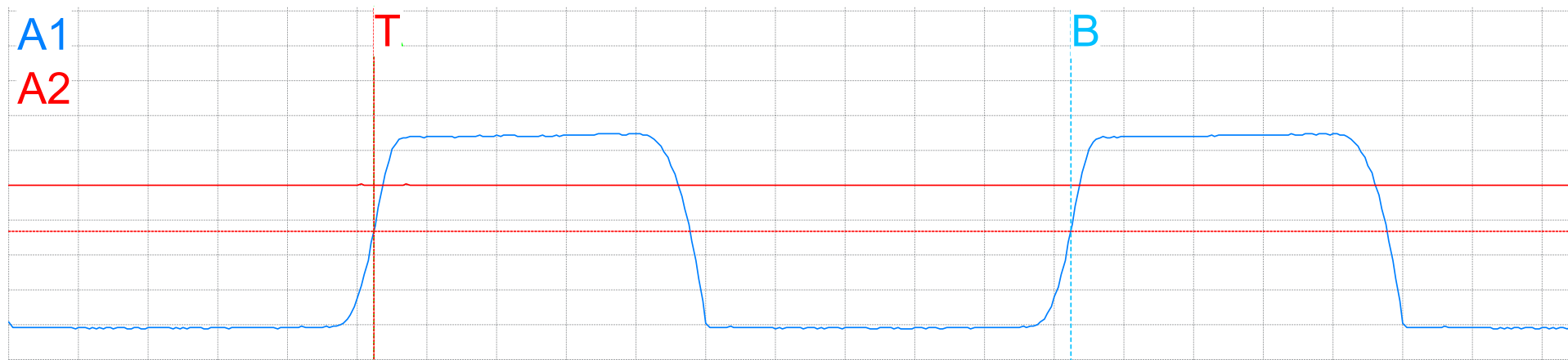


APPROVALS		DATE	TITLE	
DRAWN	J TAYLOR	2005/01/07	Type 52 100Hz reference oscillator American Time Products: S/N 8	
CHECKED				
ENGINEER				
PROJ ENGINEER				
APPROVED			SIZE B	FSCM NO.      DRAWING NO. 0012.DSN
QA			SCALE NONE	REV. -
			MODIFIED: 10/01/08 9:59:29 PM	SHEET 1 OF 1

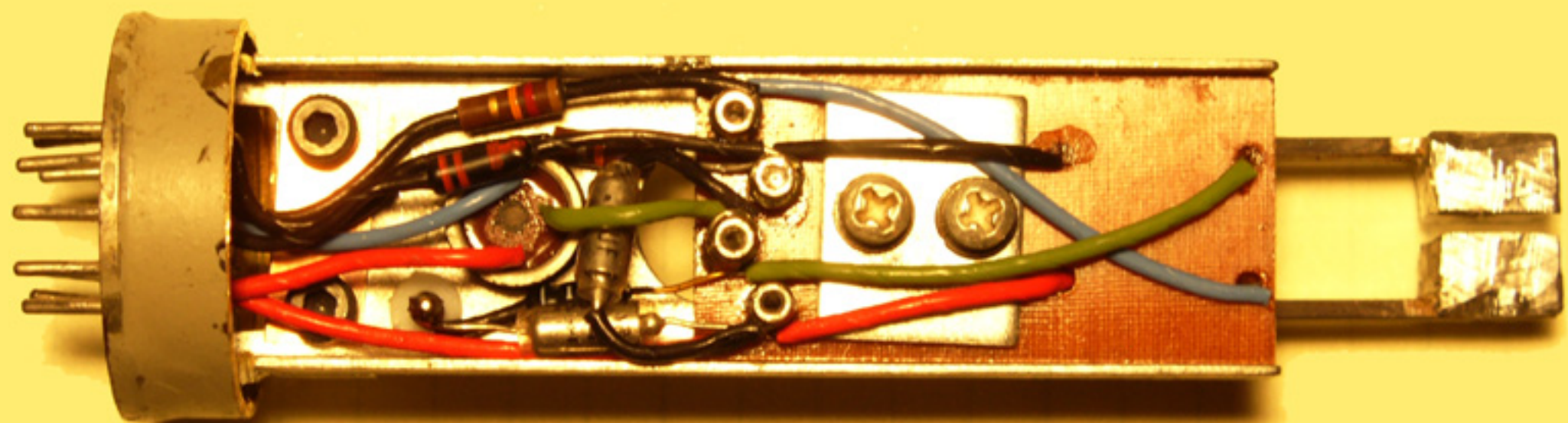
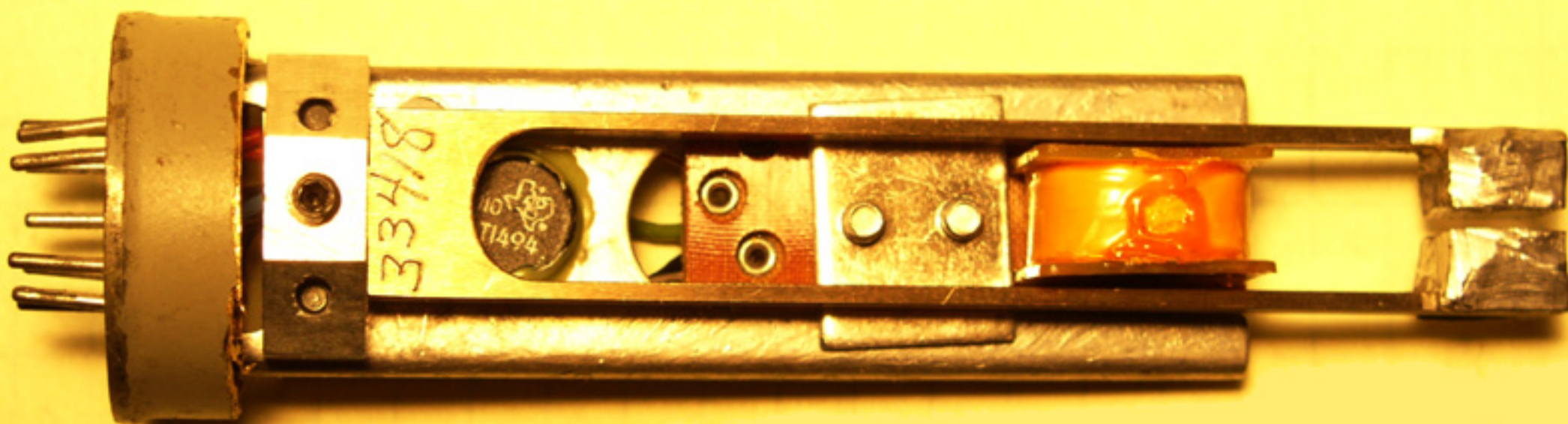
10/1/2006 at 21:18:41

Rate	Time/div.	Slope	Trigger Cursor
20KSa (50us)	1.00000mS	Positive	20.700mS

Chan	Cursor A	Cursor B	V/Div
A1	20.700mS:-0.16V	30.700mS: 4.48V	2V
A2	20.700mS:-8.16V	30.700mS:-3.52V	2V



Start=15.4500000ms End=81.400mS



- 1: Chassis
- 4: Vout
- 7: +12V
- 8: GND
- 2,3,5,6,9: No Connect