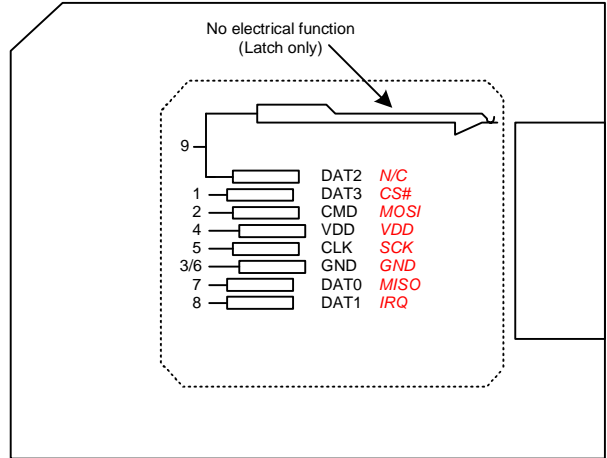
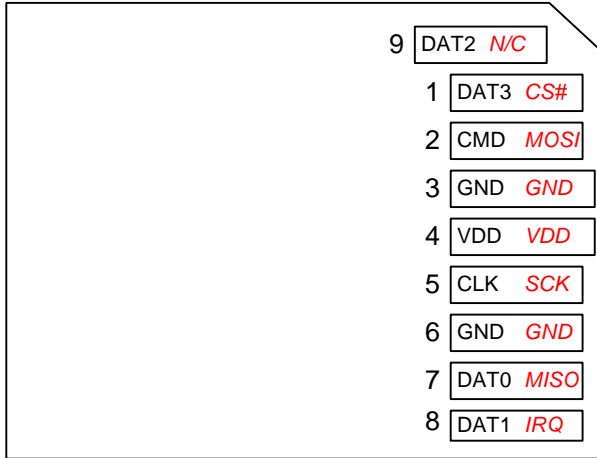
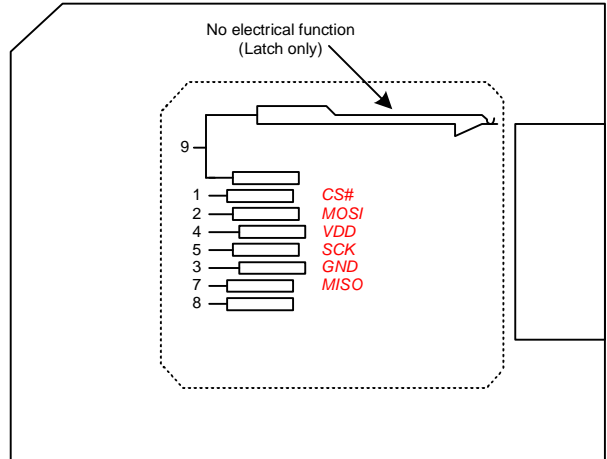
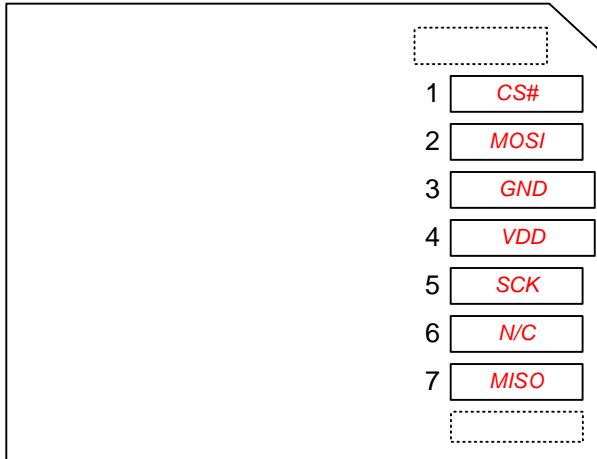


SD CARD / MICRO-SD ADAPTER PINOUT



SD Function *SPI (SDIO / MMC) Function*



SPI (SDIO / MMC) Function

MOSI: MasterOutSlaveIn
MISO: MasterInSlaveOut