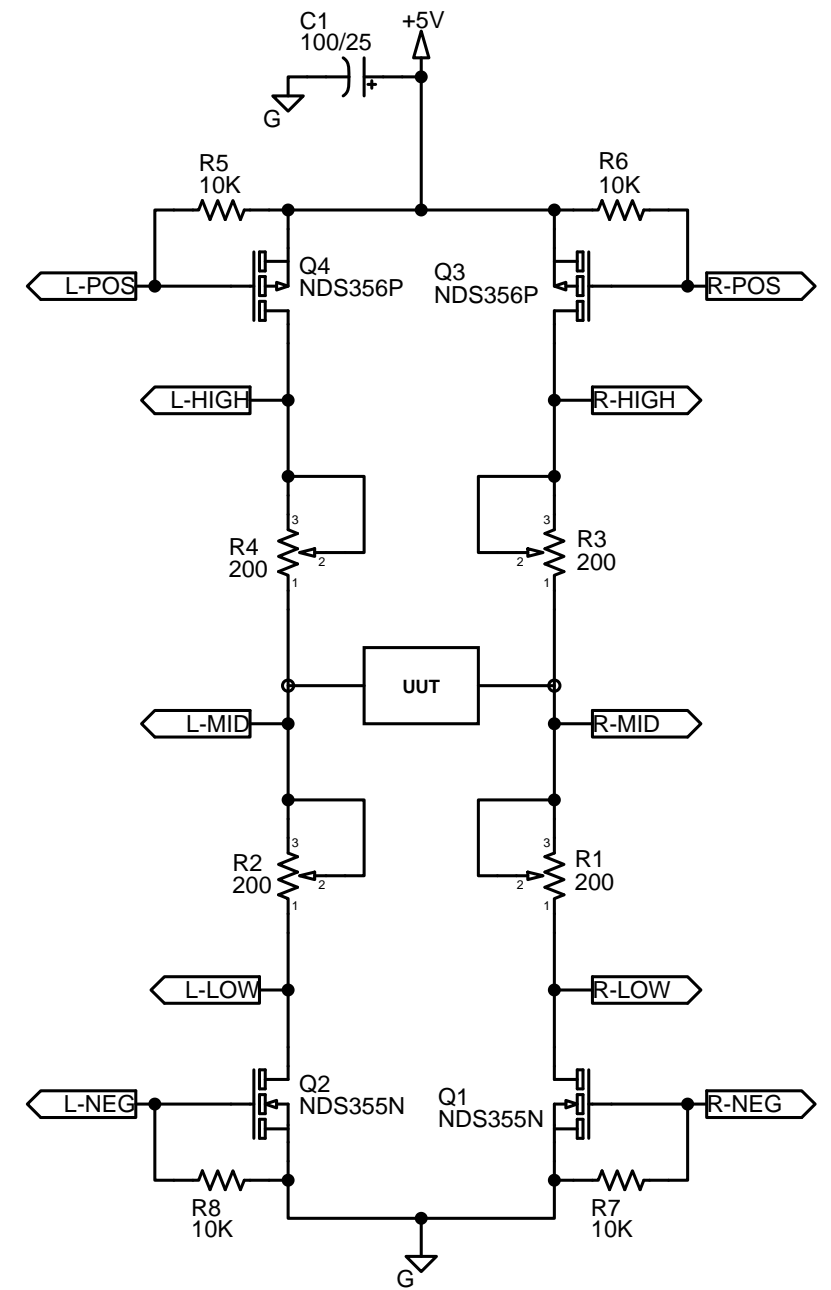
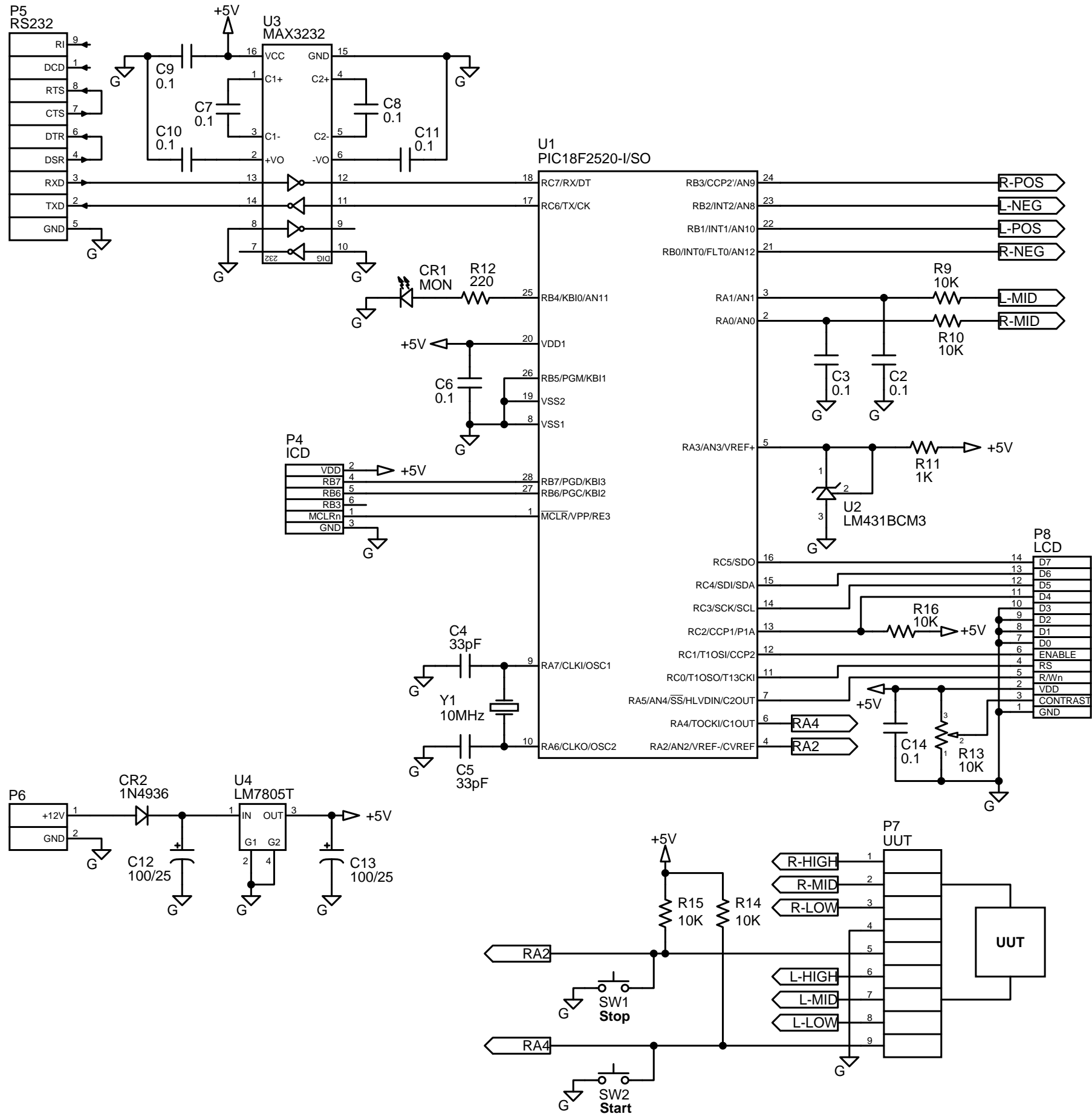


REVISION HISTORY			
REV	DESCRIPTION	APPROVED	DATE



Drive Level-mW	UUT-mA	UUT-Ohms	R1/R2-Ohms	R3/R4-Ohms
300mW	100	30	20	Zero
60mW	44.72	30	40	41.8

Adjust R1/R2 for approx 2V at desired drive current (2.5V Max)

APPROVALS		DATE	TITLE		
DRAWN	J TAYLOR	09/03/09	H-Bridge driver for receiver stress testing		
CHECKED					
ENGINEER					
PROJ ENGINEER			SIZE	FSCM NO.	DRAWING NO.
APPROVED			B		1391A.DSN
QA			SCALE	NONE	REV. -
			© 2009 TES	MODIFIED: 09/13/09 9:31:52 AM	SHEET 1 OF 2

