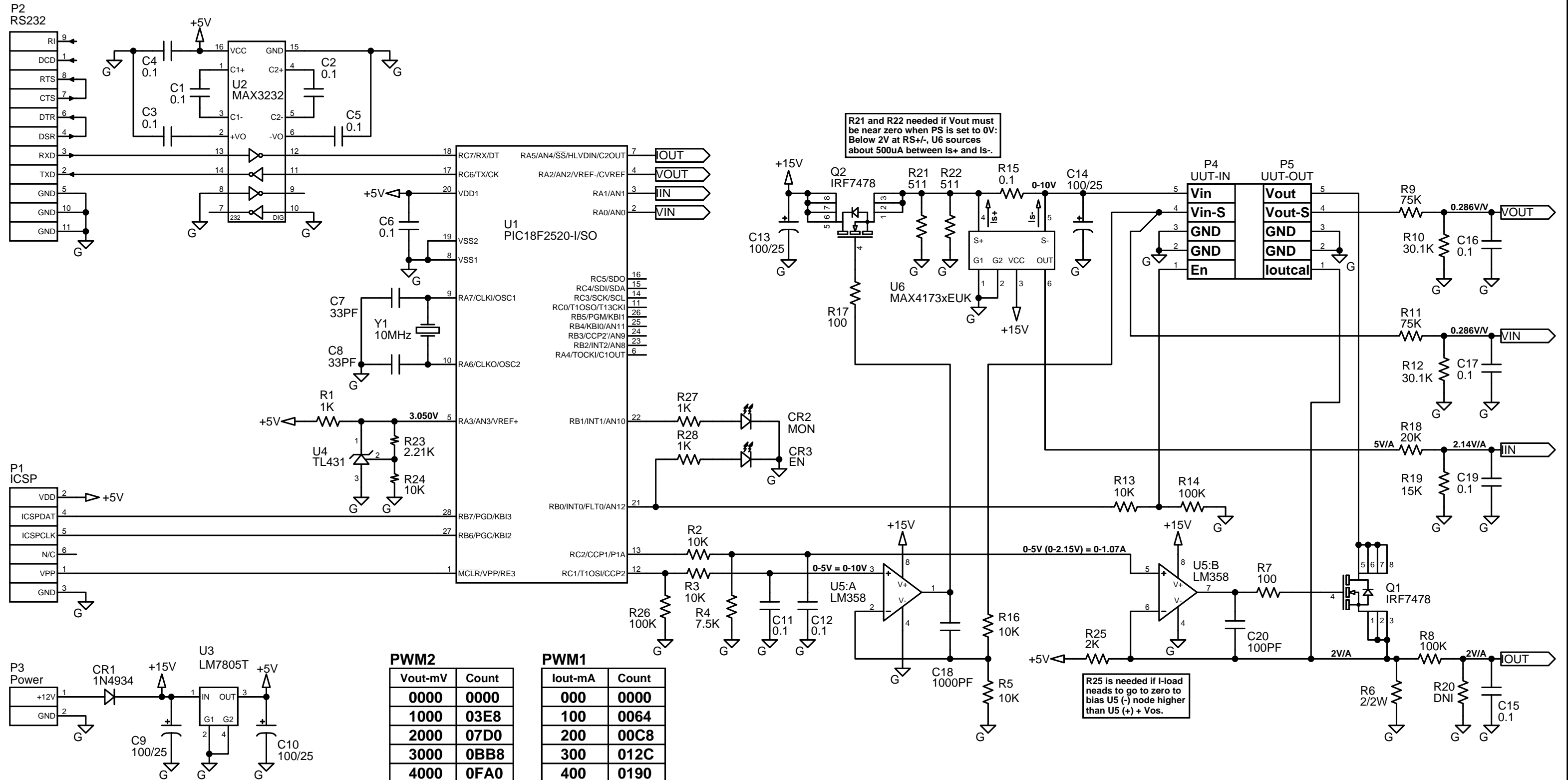


REVISION HISTORY			
REV	DESCRIPTION	APPROVED	DATE



**PWM2**

Vout-mV	Count
0000	0000
1000	03E8
2000	07D0
3000	0BB8
4000	0FA0
5000	1388
6000	1770
7000	1B58
8000	1F40
9000	2328
10000	2710

**PWM1**

Iout-mA	Count
000	0000
100	0064
200	00C8
300	012C
400	0190
500	01F4
600	0258
700	02BC
800	0320
900	0384
1000	03E8

APPROVALS		DATE	TITLE
DRAWN	J TAYLOR	07/27/10	Switcher efficiency sweeper: 0-10V into UUT and 0-1A load out of UUT
CHECKED			
ENGINEER			
PROJ ENGINEER			
APPROVED			
QA			

SIZE	FSCM NO.	DRAWING NO.	REV.
B		1403.DSN	-
SCALE	NONE	© 2009 TES	MODIFIED: 08/10/10 11:52:11 PM
SHEET	1	OF	1