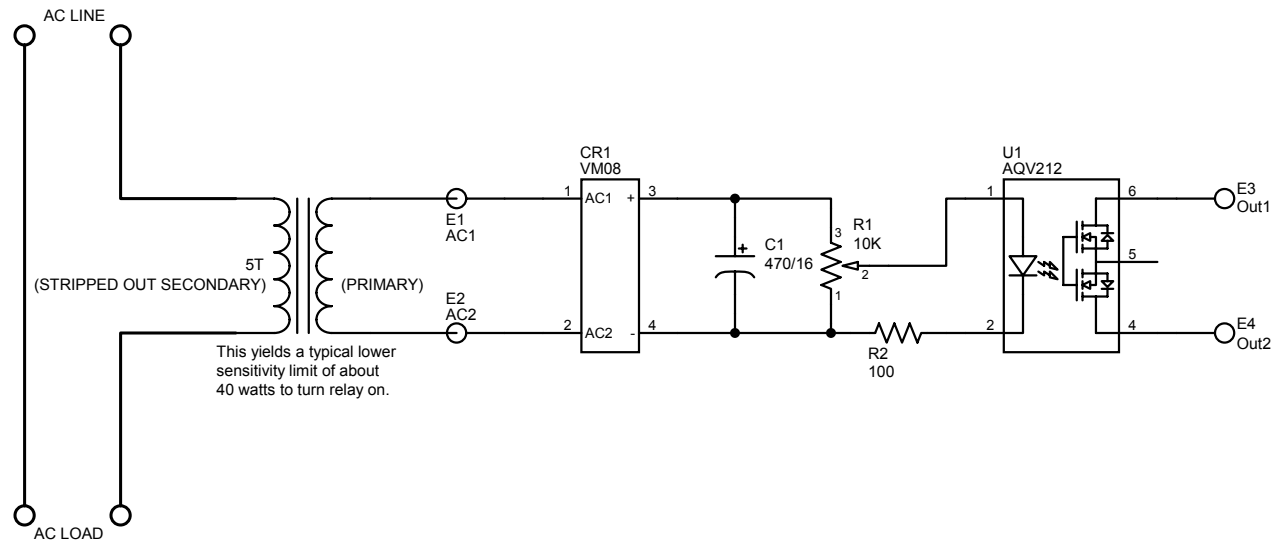


REVISION HISTORY			
REV	DESCRIPTION	APPROVED	DATE



APPROVALS		DATE	TITLE			
DRAWN	J TAYLOR	2005/01/01	<b>Self powered AC current controlled solid state relay: 60V AC/DC 0.4A</b>			
CHECKED						
ENGINEER						
PROJ ENGINEER						
APPROVED			SIZE	FSCM NO.	DRAWING NO.	REV.
QA			A		1295.DSN	-
SCALE			NONE	CREATED: 01/02/05 4:52:27 PM	SHEET	1 OF 1
				MODIFIED: 01/03/05 11:44:32 AM		