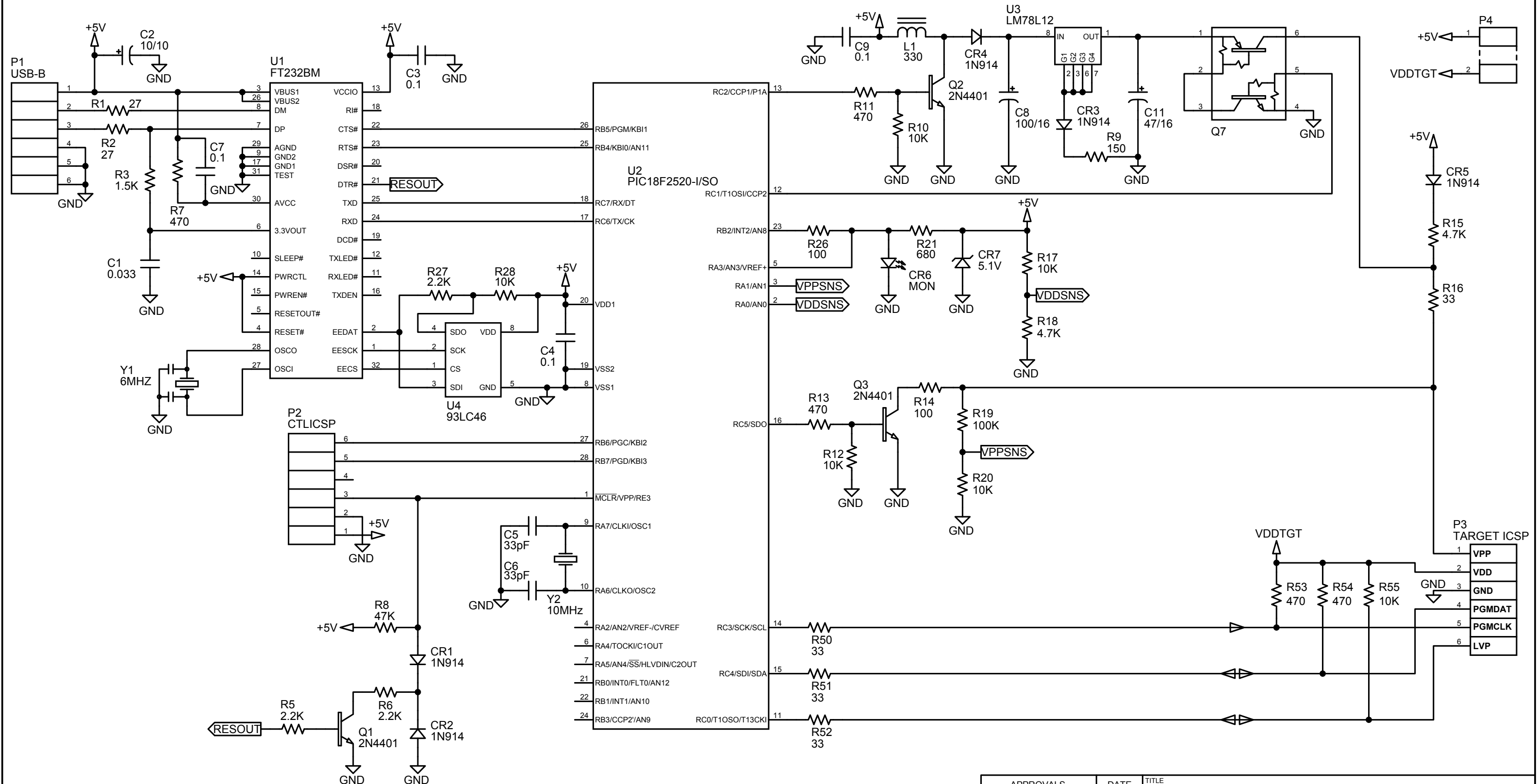


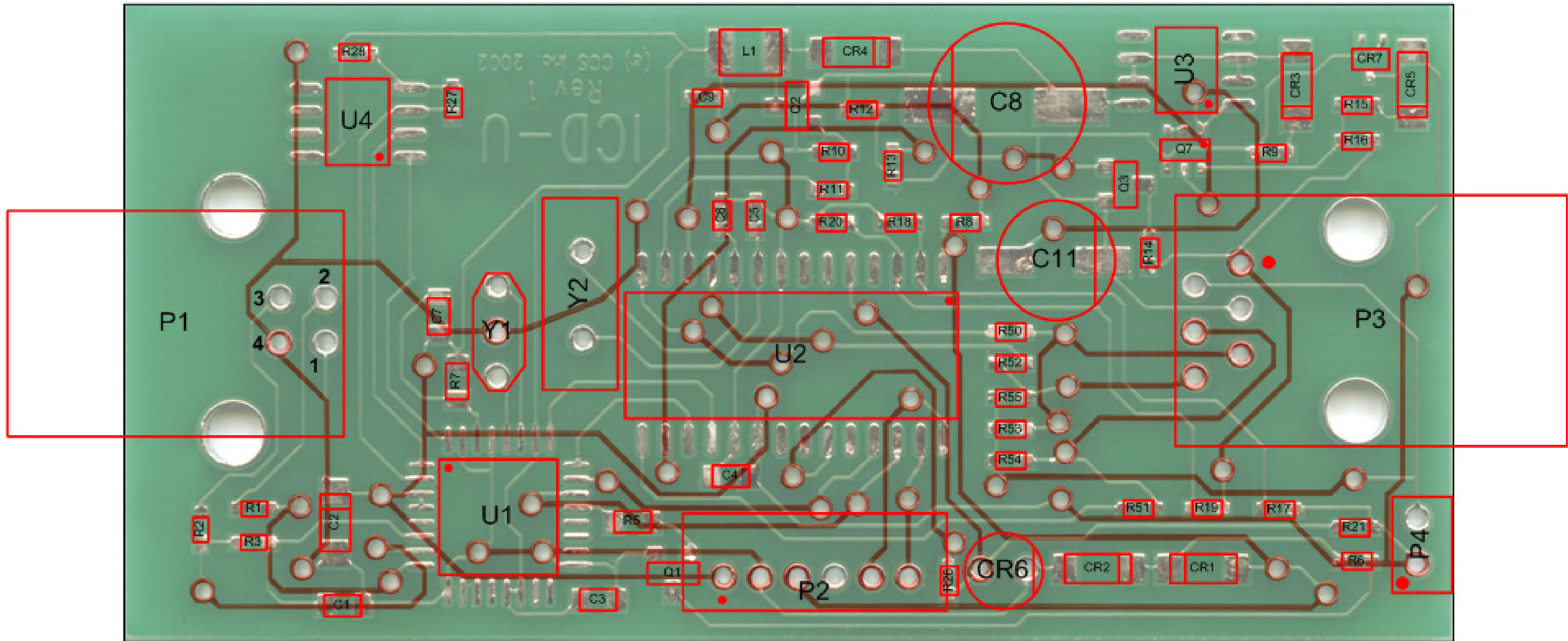
NOTES: UNLESS OTHERWISE SPECIFIED

REVISION HISTORY			
REV	DESCRIPTION	APPROVED	DATE



APPROVALS		DATE	TITLE	
DRAWN	J TAYLOR	08/19/09	ICD-U40 Revision 1 hardware	
CHECKED				
ENGINEER				
PROJ ENGINEER			SIZE	FSCM NO.
APPROVED			B	
QA			SCALE	NONE
			© 2009 TES	MODIFIED: 01/01/10 3:03:42 PM
			DRAWING NO.	1390_Rev1.DSN
			SHEET	1 OF 2

REVISION HISTORY			
REV	DESCRIPTION	APPROVED	DATE



APPROVALS		DATE	TITLE		
DRAWN	J TAYLOR	08/19/09	ICD-U40 Revision 1 hardware		
CHECKED					
ENGINEER					
PROJ ENGINEER			SIZE	FSCM NO.	DRAWING NO.
APPROVED			B		1390_Rev1.DSN
QA			SCALE	NONE	REV: -
			© 2009 TES	MODIFIED: 01/01/10 3:03:42 PM	SHEET 2 OF 2