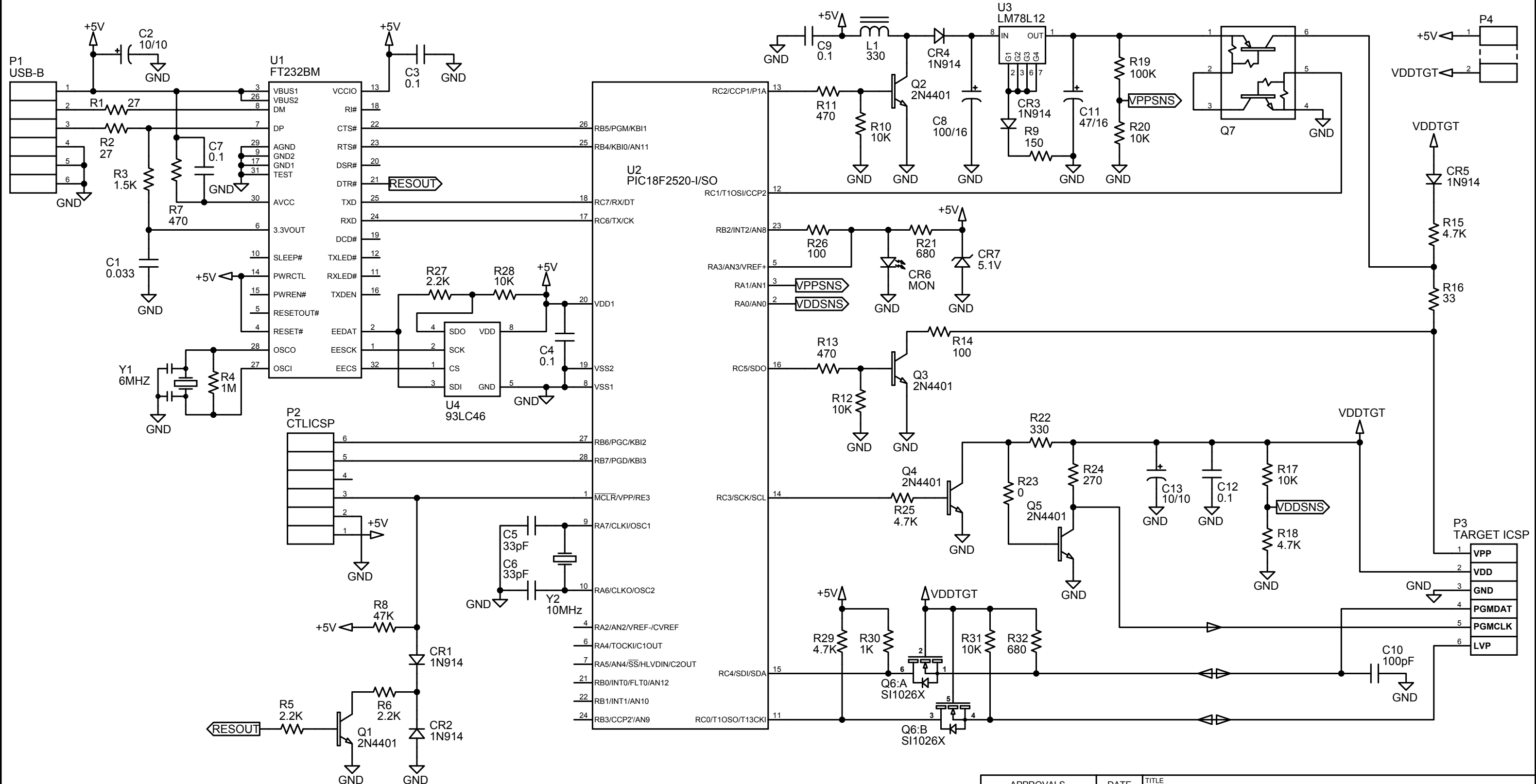


NOTES: UNLESS OTHERWISE SPECIFIED

REVISION HISTORY			
REV	DESCRIPTION	APPROVED	DATE



APPROVALS		DATE	TITLE
DRAWN	J TAYLOR	08/19/09	ICD-U40 Revision 5C hardware
CHECKED			
ENGINEER			
PROJ ENGINEER			
APPROVED			
QA			

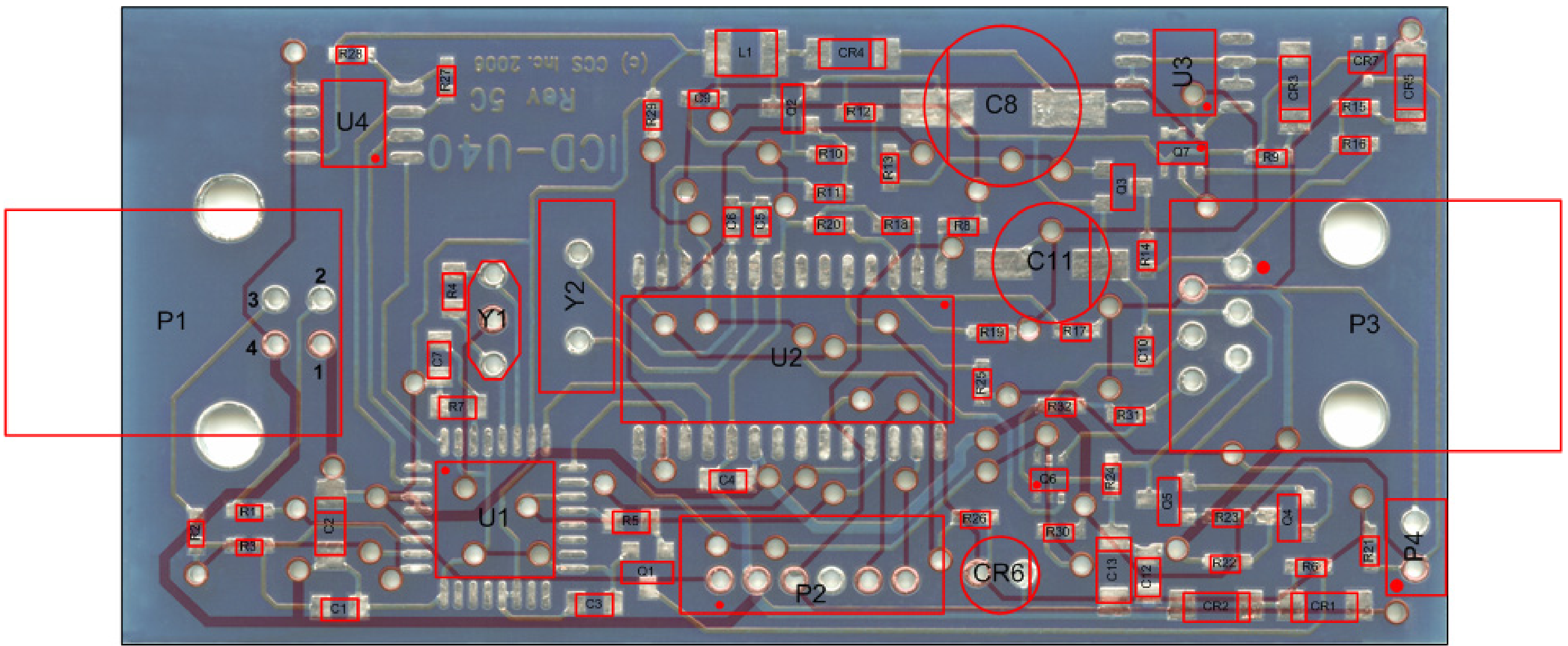
  

SIZE	FSCM NO.	DRAWING NO.	REV.
B		1390_Rev5.DSN	-

SCALE	© 2009 TES	MODIFIED: 01/01/10 3:51:06 PM	SHEET 1 OF 2
NONE			

REVISION HISTORY			
REV	DESCRIPTION	APPROVED	DATE



APPROVALS		DATE	TITLE		
DRAWN	J TAYLOR	08/19/09	ICD-U40 Revision 5C hardware		
CHECKED					
ENGINEER					
PROJ ENGINEER			SIZE	FSCM NO.	DRAWING NO.
APPROVED			B		1390_Rev5.DSN
QA			SCALE	NONE	REV: -
			© 2009 TES	MODIFIED: 01/01/10 3:51:06 PM	SHEET 2 OF 2