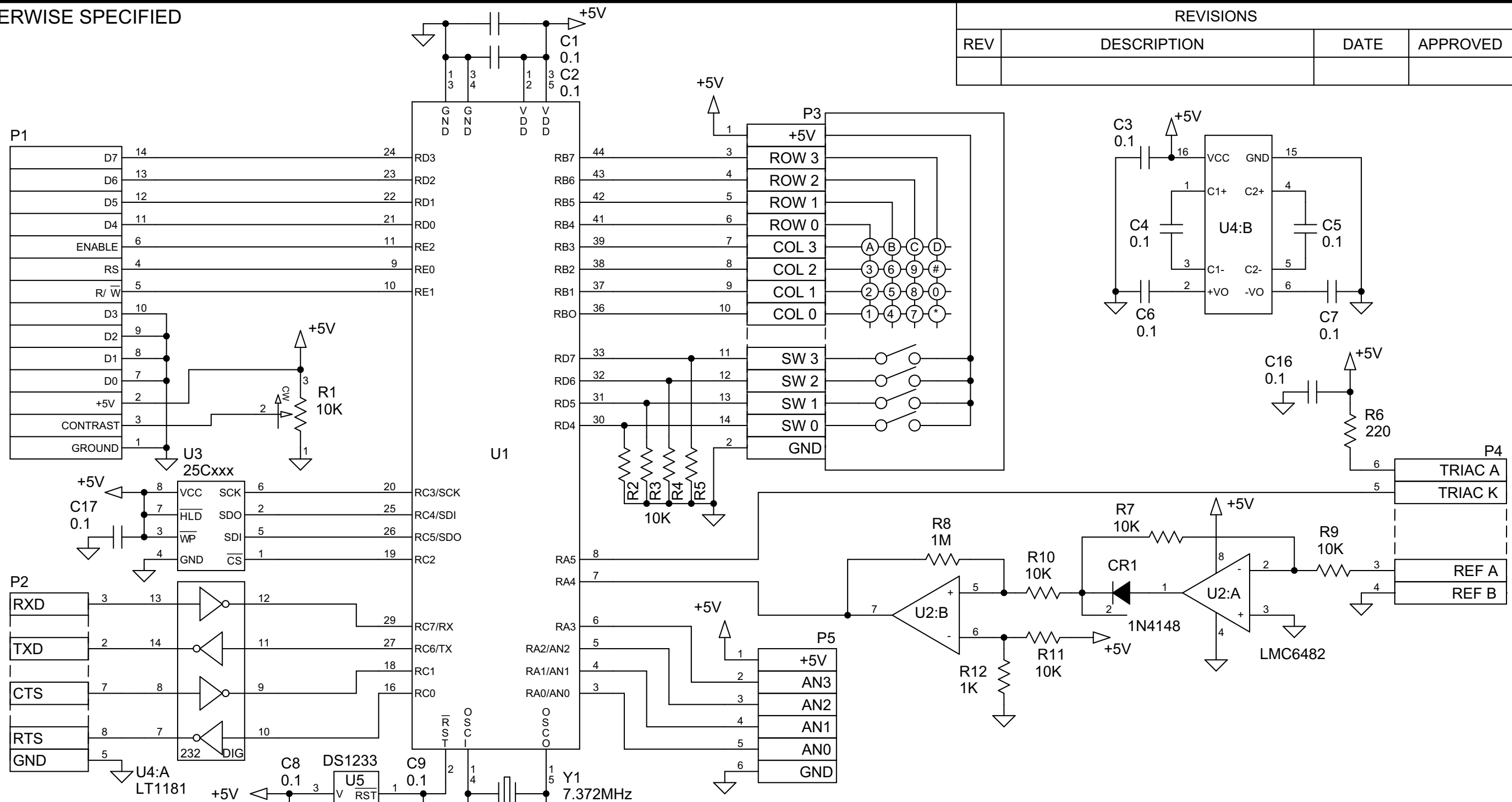


NOTES: UNLESS OTHERWISE SPECIFIED

REVISIONS			
REV	DESCRIPTION	DATE	APPROVED



CAD GENERATED DRAWING, DO NOT MANUALLY CHANGE

ITEM NO.	QTY REQD	CAGE CODE	PART OR IDENTIFYING NO.	DESCRIPTION	MATERIAL SPECIFICATION
PARTS LIST					
UNLESS OTHERWISE SPECIFIED DIMENSIONS ARE IN INCHES TOLERANCES ARE:			CONTACT NO.		
FRACTIONS DECIMALS ANGLES			APPROVALS DATE		
± .XX ±0.3 0.3# °			DRAWN		
.XXX ±0.10			CHECKED		
INTERPRET DRAWING PER DOD-STD-100 INTERPRET DIMENSIONS AND TOLERANCES PER ANSI Y14.5M-1982 REMOVE ALL BURRS AND SHARP EDGES .03R MAX ABBREVIATIONS PER MIL-STD-12 SURFACE ROUGHNESS ✓ HOLED TOLERANCES PER AND10387			ENGINEER		
DO NOT SCALE DRAWING			PROJ ENGR		
NEXT ASSY			APPROVED		
USED ON			QA		
APPLICATION UNLESS OTHERWISE SPECIFIED IN CONTRACT, APPLICATION DATA IS ONLY FOR			TITLE		
			TES 1114 PIC controlled spot welder		
			Uses PIC16F877 with external EEPROM or PIC18F452 with internal EEPROM. Code base: 0103v00r00		
SIZE B		FSCM NO.	DWG. NO.		REV.
SCALE		SHEET 1 OF			

