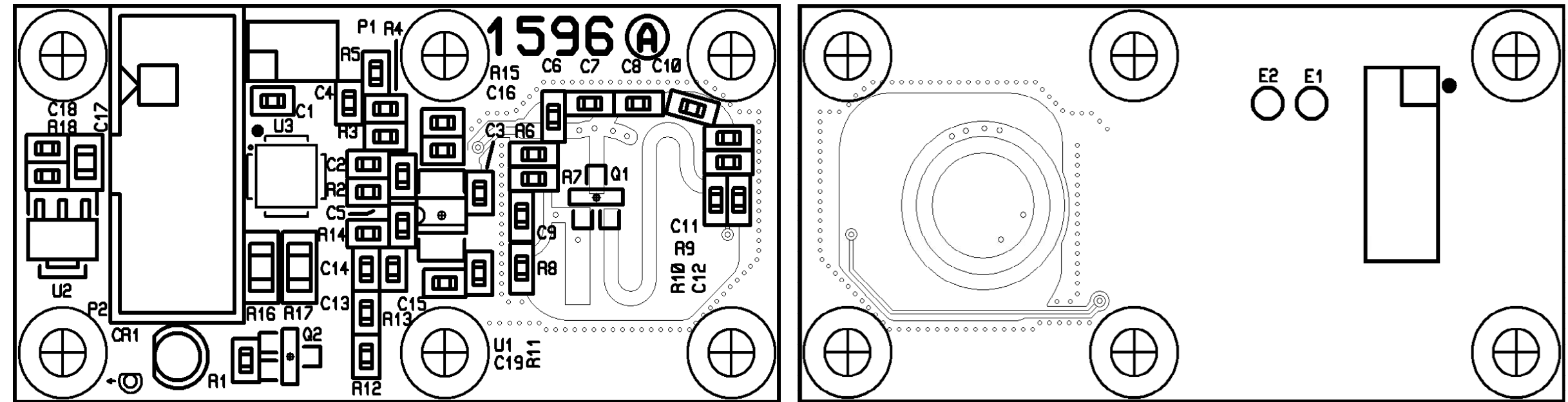
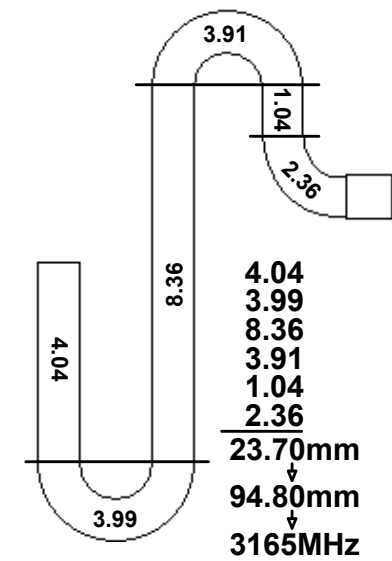
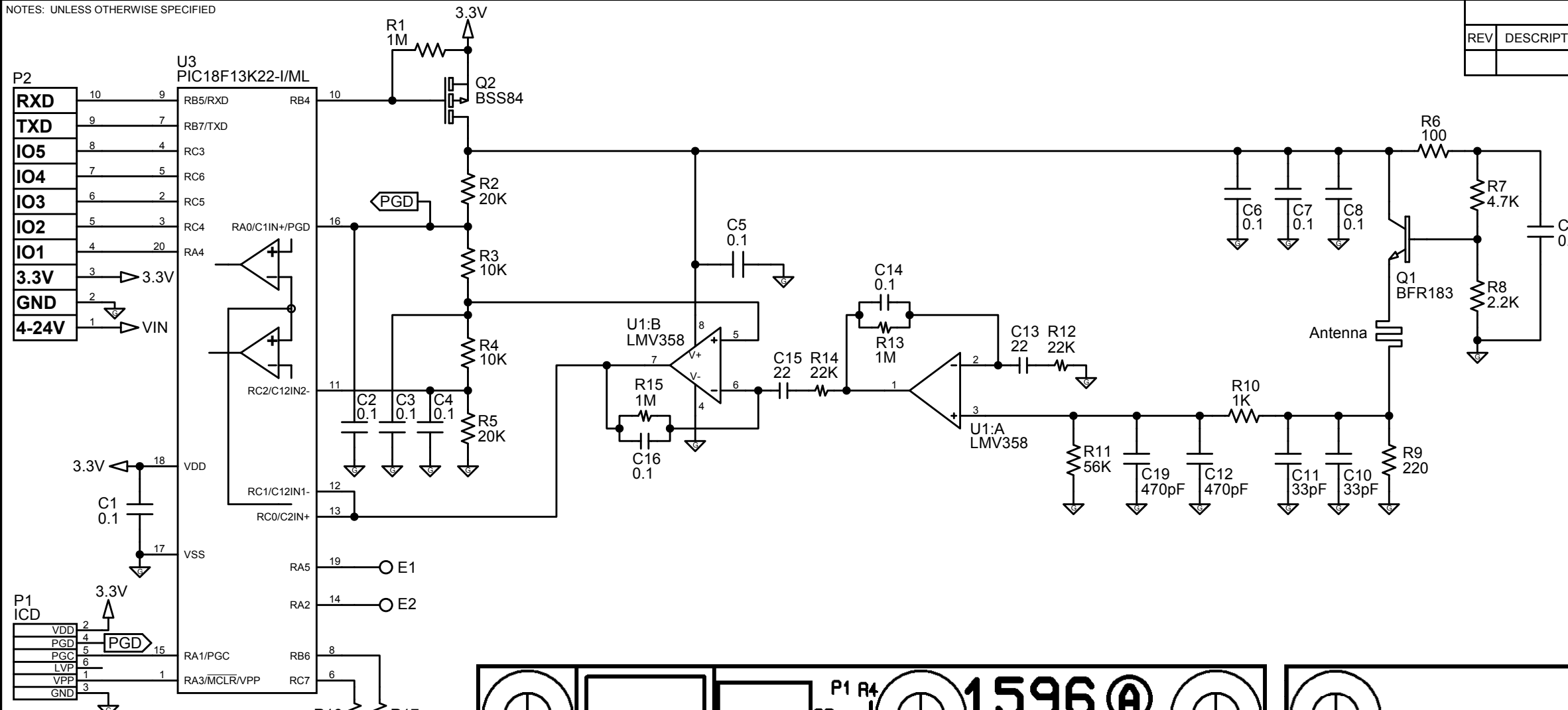


NOTES: UNLESS OTHERWISE SPECIFIED

REVISION HISTORY

REV	DESCRIPTION	APPROVED	DATE



APPROVALS		DATE	TITLE		
DRAWN	J TAYLOR	2018/01/05	3.2GHz motion detector		
CHECKED					
ENGINEER					
PROJ ENGINEER			SIZE	FSCM NO.	DRAWING NO.
APPROVED			B		1596
QA			SCALE	NONE	© 2018 TES
			MODIFIED	01/10/18 3:29:05 PM	SHEET 1 OF 1