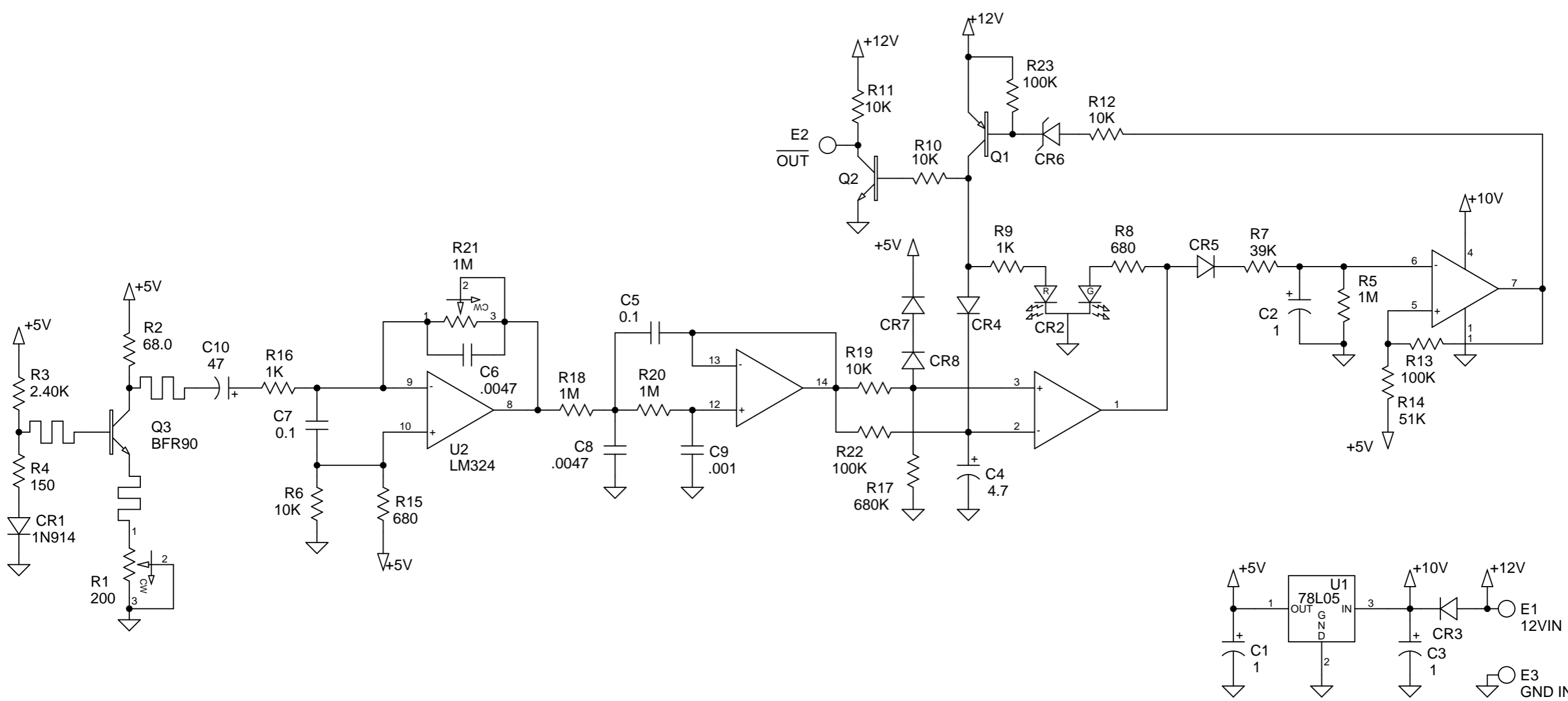


NOTES: UNLESS OTHERWISE SPECIFIED

REVISIONS			
REV	DESCRIPTION	DATE	APPROVED



CAD GENERATED DRAWING, DO NOT MANUALLY CHANGE

ITEM NO.	QTY REQD	CAGE CODE	PART OR IDENTIFYING NO.	DESCRIPTION	MATERIAL SPECIFICATION
----------	----------	-----------	-------------------------	-------------	------------------------

PARTS LIST

UNLESS OTHERWISE SPECIFIED
 DIMENSIONS ARE IN INCHES
 TOLERANCES ARE:
 FRACTIONS DECIMALS ANGLES
 ± .XX ±03 0 3# °
 .XXX ±010
 INTERPRET DRAWING PER DOD-STD-100
 INTERPRET DIMENSIONS AND TOLERANCES
 PER ANSI Y14.5M-1982
 REMOVE ALL BURRS AND SHARP EDGES
 .03R MAX
 ABBREVIATIONS PER MIL-STD-12
 SURFACE ROUGHNESS ✓
 HOLED TOLERANCES PER AND10387

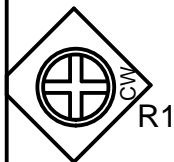
CONTACT NO.	
APPROVALS	DATE
DRAWN	TITLE
CHECKED	
ENGINEER	
PROJ ENGR	
APPROVED	
QA	

SIZE	FSCM NO.	DWG. NO.	REV.
B			

NEXT ASSY	USED ON
APPLICATION UNLESS OTHERWISE SPECIFIED IN CONTRACT, APPLICATION DATA IS ONLY FOR	

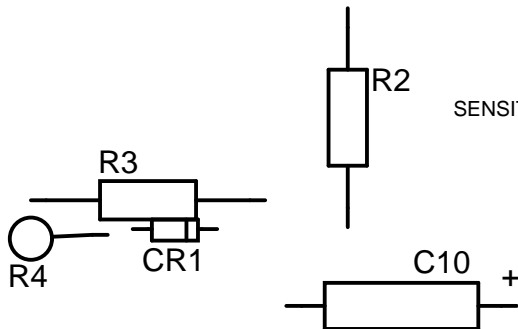
DO NOT SCALE DRAWING

MICRO 1003

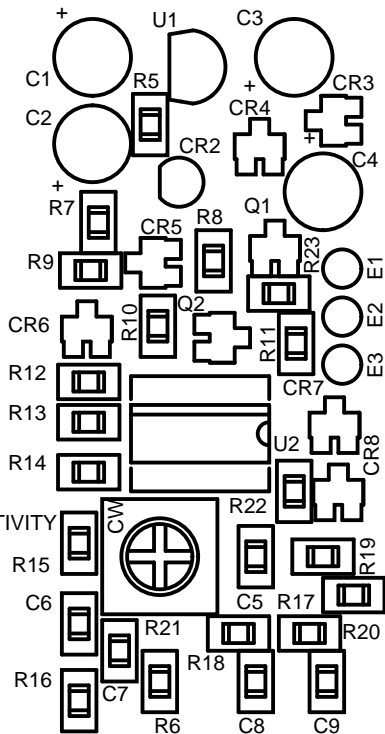


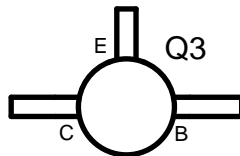
OSC-SET

(Q3)



SENSITIVITY





PART NUMBER UP